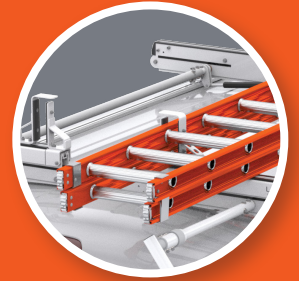




# MASTERACK®

TAILOR FIT FOR A JOB DONE RIGHT



**COMMERCIAL VAN EQUIPMENT**

**FORD VANS  
GM VANS  
MERCEDES VANS  
RAM VANS  
VAN BODIES**

# ABOUT MASTERACK®

Quality and customer satisfaction is our commitment. MASTERACK® has over 60 years of experience in the design and manufacture of high-quality, commercial grade van and pickup equipment for the nation's largest fleets and auto makers. Additionally, through our partnerships with professional distributor installers across the country, trade customers and local fleets can benefit from the same dependable equipment for their service vehicles.

## UPFIT INCENTIVES

Factory upfit assistance is available to use on MASTERACK® products for new commercial vans. Subject to qualification. Check with your local dealer for program details.



### Ford Commercial Incentives

[www.fordupfits.com/commercial/ford-commercial-incentives](http://www.fordupfits.com/commercial/ford-commercial-incentives)



### Chevy Business Choice Program

[www.gmfleet.com/chevybusinesschoice](http://www.gmfleet.com/chevybusinesschoice)  
[www.gmfleet.com/gmcbusinesschoice](http://www.gmfleet.com/gmcbusinesschoice)



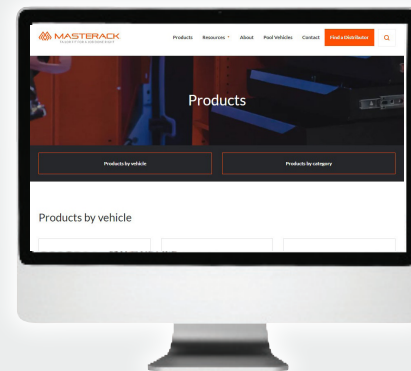
### Ram On the Job Incentives

[www.ramtrucks.com/ram-commercial/businesslink.html](http://www.ramtrucks.com/ram-commercial/businesslink.html)

## CAN'T FIND WHAT YOU'RE LOOKING FOR?

MASTERACK.com offers customers access to the newest products and product information available. Also find:

- Product details and photos
- Product support information (FAQs, Warranty)
- Distributor search



## LIMITED WARRANTY

MASTERACK® commercial van and pickup equipment is warranted to be free from defects in material and workmanship, under normal use and service, for a period of one (1) year from date of purchase. Factory installations and products installed in new vehicles by an authorized MASTERACK® installer are warranted for three (3) years or 36,000 miles (60,000 km), whichever comes first. Please visit [www.MASTERACK.com](http://www.MASTERACK.com) to view additional warranty details.



# TABLE OF CONTENTS

## HOW TO ORDER

Vehicle Layout Guides.....3-4

## STEEL PRODUCTS

Base Packages ..... 5  
 General Service Packages ..... 6  
 Electrical Service Packages..... 7  
 Plumbing/HVAC Packages ..... 8  
 Cabinets & Drawers..... 9  
 Shelving Components..... 10  
 Replacement Parts..... 11

## PARTITIONS

Steel Partitions ..... 12  
 Lightweight Composite & Wire Partitions..... 13

## LADDER RACKS

UPLYFT® ..... 14  
 Locking Ladder Rack..... 15  
 Utility Carrier ..... 16

## ACCESSORIES

Manual & Document Storage..... 17  
 Floor Drawers ..... 17  
 Window Screens ..... 18  
 Interior Accessories..... 18  
 Flooring ..... 19  
 Exterior Accessories..... 19  
 Cargo Protection Packages..... 20

INDEX ..... 21-22

Visit [MASTERACK.com](http://MASTERACK.com) to view additional MASTERACK® products and download MASTERACK®'s complete line of catalogs.





# CUSTOM VAN INTERIORS

# 3-4

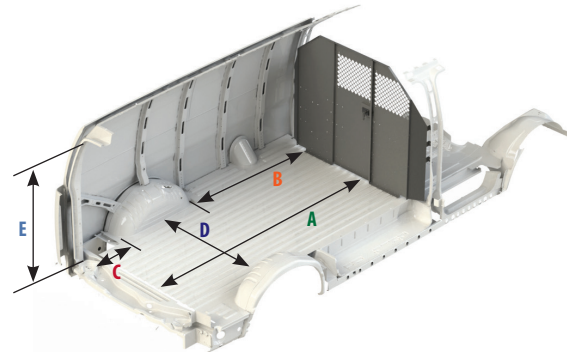
# VEHICLE LAYOUT GUIDES

### MEASUREMENT KEY

- A** Cargo Length @ Floor
- B** Front of Wheel Well
- C** Rear of Wheel Well
- D** Width Between Wheel House
- E** Cargo Height Max

- 1) Select a base package
- 2) Add a vehicle specific steel, composite, or wire cab partition
- 3) Select upgrade options that fit your trade
- 4) Add roof options and exterior accessories

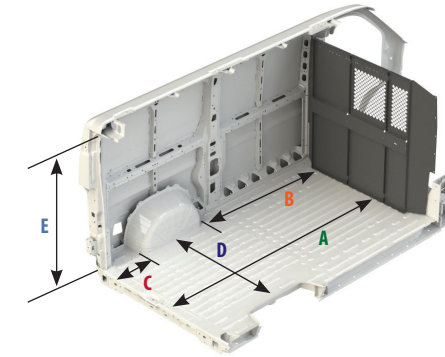
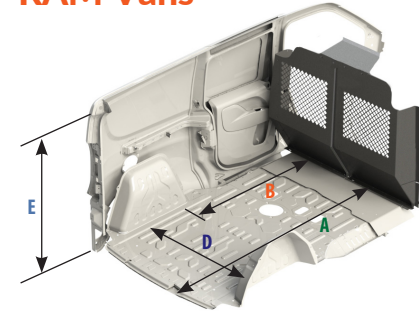
## GM Vans



### GM Express/Savana

WHEELBASE	135"	155"
<b>A</b>	104.00	122.00
<b>B</b>	55.00	74.00
<b>C</b>	13.00	13.00
<b>D</b>	52.50	52.50
<b>E</b>	49.00	49.00

## RAM Vans



### RAM ProMaster City

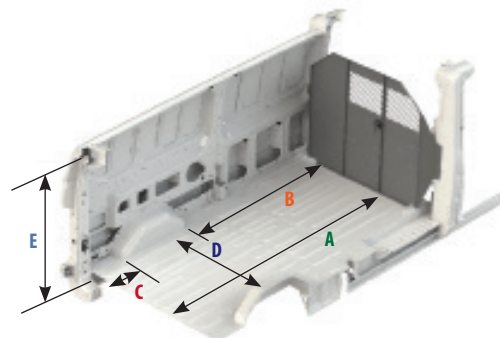
WHEELBASE	122"
<b>A</b>	77.00
<b>B*</b>	44.00
<b>D</b>	48.40
<b>E</b>	46.00

\* To Door Opening

### RAM ProMaster

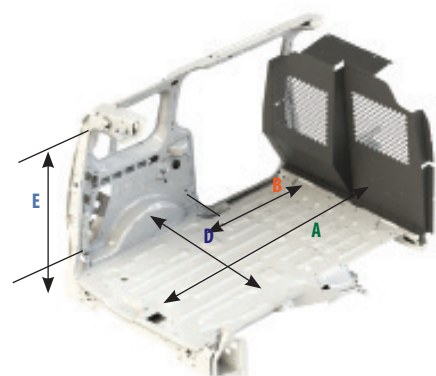
WHEELBASE	118"	136"	136"	159"	159" - EXT
Roof Height	LOW	LOW	HIGH	HIGH	HIGH
<b>A</b>	85.00	103.00	103.00	126.00	140.00
<b>B</b>	39.00	57.00	57.00	80.00	80.00
<b>C</b>	10.80	10.80	10.80	10.80	10.80
<b>D</b>	56.00	56.00	56.00	56.00	56.00
<b>E</b>	65.00	65.00	76.00	76.00	76.00

## Ford Vans



### Ford Transit

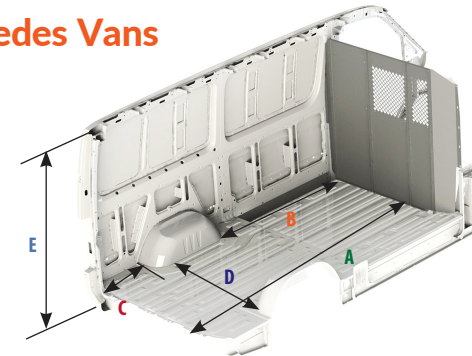
WHEELBASE	130"	130"	148"	148"	148"	148" - EXT
Roof Height	LOW	MEDIUM	LOW	MEDIUM	HIGH	HIGH
<b>A</b>	103.5	103.5	121.25	121.25	121.25	140.50
<b>B</b>	54.5	54.5	71.5	71.5	71.5	71.5
<b>C</b>	14.00	14.00	14.00	14.00	42.50	42.50
<b>D</b>	53.50	53.50	53.50	53.50	53.50	53.50
<b>E</b>	49.00	64.00	49.00	64.00	73.00	73.00



### Ford Transit Connect

WHEELBASE	106"	121"
<b>A</b>	71.50	87.30
<b>B</b>	36.00	36.00
<b>D</b>	48.30	48.30
<b>E</b>	49.70	49.70

## Mercedes Vans



### Mercedes Sprinter

WHEELBASE	144"	144"	170"	170" - EXT.
Roof Height	STANDARD	HIGH	HIGH	HIGH
<b>A</b>	128.60	128.60	169.30	185.10
<b>B</b>	64.00	64.00	95.00	95.00
<b>C</b>	22.00	22.00	39.00	55.00
<b>D</b>	53.10	53.10	53.10	38.50
<b>E</b>	65.00	78.20	78.20	78.20

### Mercedes Metris

WHEELBASE	126"
Roof Height	STANDARD
<b>A</b>	105.00
<b>B</b>	48.00
<b>C</b>	16.00
<b>D</b>	50.00
<b>E</b>	55.00

## STEEL BASE PACKAGES

MASTERACK®'s heavy duty steel interiors, used by the nation's largest fleets, offer maximum durability for the toughest applications. Choose a basic base interior from below to fit your vehicle and upgrade with trade accessories, shelf backs, cabinets, drawers, dividers and bins to meet your needs.

Partitions sold separately (see pages 12-13).



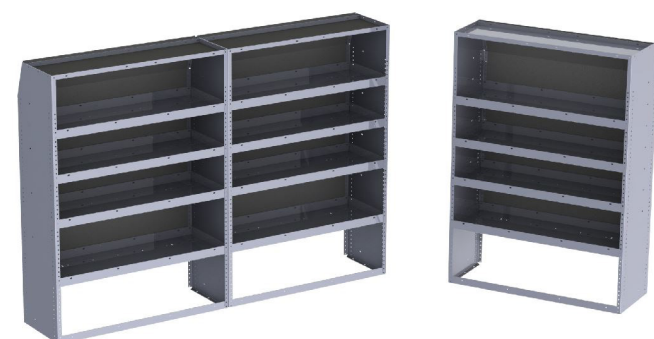
**Compact Steel Base Package**  
Applicable to Ford Transit Connect and RAM ProMaster City

PACKAGE # 02R100KP		
Part#	Description	Qty.
02J640KP	STEEL SHELVING MODULE 44" H X 37" W X 12" D	2
02G056KP	FLOOR ATTACH/INSTR KIT (LEFT & RIGHT) SET- TRANSIT CONNECT G2	1



**Standard Steel Base Package**  
Applicable to Ford Transit Low Roof, GM Express/Savana

PACKAGE # 02R104KP		
Part#	Description	Qty.
022434KP	STEEL SHELVING MODULE 46" H X 43" W X 16" D	2
027546KP	STEEL SHELVING MODULE 46" H X 43" W X 12" D	1
027652KP	HEAVY-DUTY BRACKET WITH FASTENERS (SET OF 6)	1



**Tall Steel Base Package**  
Applicable to Ford Transit Medium & High Roof, Ram ProMaster Low & High Roof and Mercedes Sprinter

PACKAGE #02R108KP		
Part#	Description	Qty.
02A383KP	STEEL SHELVING MODULE 60" H X 43" W X 16" D	3
027652KP	HEAVY-DUTY BRACKET WITH FASTENERS (SET OF 6)	1



**Van Body Steel Base Package**  
Applicable to 10-14' Van Bodies

PACKAGE #02K646KP		
Part#	Description	Qty.
027574KP	STEEL SHELVING MODULE 60" H X 51" W X 16" D	4

## STEEL GENERAL SERVICE PACKAGES



**Compact Steel General Service Package**  
Applicable to Ford Transit Connect and RAM ProMaster City

PACKAGE # 02R103KP		
Part#	Description	Qty.
02J640KP	STEEL SHELVING MODULE 44HX37WX12D	2
02G056KP	FLOOR ATTACH/INSTR KIT (LEFT & RIGHT) SET - TRANSIT CONNECT G-2	1
02B893KP	TOOL DROP TRAY DIVIDERS (SET OF 5)	2
025527KP	TRIPLE UTILITY HOOK	2
027259KP	DRAWER CABINET, 3-DRAWER 12X18.5X12	2
021471KP	COMPOSITE STORAGE BINS 5X8X12 (SET OF 4)	1



**Standard Steel General Service Package**  
Applicable to Ford Transit Low Roof, GM Express/Savana

PACKAGE # 02R107KP		
Part#	Description	Qty.
022434KP	TAPERED SHELVING MODULE 46x43x16	2
027546KP	TAPERED SHELVING MODULE 46X43X12	1
022528KP	SHELF DIVIDER 7Hx16D (SET/5)	2
02R010KP	LOCKABLE STORAGE DOOR 43W	1
027259KP	DRAWER CABINET, 3-DRAWER, 12x18.5x12	1
025527KP	TRIPLE UTILITY HOOK	1
021471KP	COMPOSITE STORAGE BINS 5x8x12 (SET/4)	1
027652KP	HEAVY-DUTY T-BRACKET W/FASTENERS (SET/6)	1



**Tall Steel General Service Package**  
Applicable to Ford Transit Medium & High Roof, Ram ProMaster Low & High Roof and Mercedes Sprinter

PACKAGE #02R111KP		
Part#	Description	Qty.
02A383KP	TAPERED SHELF MODULE 60X43X16	3
022528KP	SHELF DIVIDER 7Hx16D (SET/5)	3
02R010KP	LOCKABLE STORAGE DOOR 43W	1
025070KP	DRAWER CABINET, 2-DRAWER, 12Hx18.5Wx16D	2
025527KP	TRIPLE UTILITY HOOK	1
027652KP	HEAVY-DUTY T-BRACKET W/FASTENERS (SET/6)	1



# STEEL ELECTRICAL PACKAGES

**Compact Electrical Contractor Package**  
 Applicable to Ford Transit Connect and  
 RAM ProMaster City

PACKAGE # 02R102KP		
Part#	Description	Qty.
02J640KP	STEEL SHELVING MODULE 44X37WX12D	2
02G056KP	FLOOR ATTACH/INSTR KIT (LEFT & RIGHT) SET - TRANSIT CONNECT G2	1
02B893KP	TOOL DROP TRAY DIVIDERS (SET/5)	2
02S527KP	TRIPLE UTILITY HOOK	2
027259KP	Drawer Cabinet, 3-Drawer 12X18.5X12	2
02D641KP	COMPOSITE PARTS DRAWER CABINET, 6-DRAWER - 7Hx18.5WX12D	2
024304KP	WIRE SPOOL CARRIER, 24Hx12Wx4D	1
021471KP	COMPOSITE STORAGE BINS 5x8x12 (SET/4)	1

**Standard Electrical Contractor Package**  
 Applicable to Ford Transit Low Roof, GM Express/Savana

PACKAGE # 02R106KP		
Part#	Description	Qty.
022434KP	TAPERED SHELVING MODULE 46x43x16	2
027546KP	TAPERED SHELVING MODULE 46X43X12	1
022528KP	SHELF DIVIDER 7Hx16D (SET/5)	2
02R010KP	LOCKABLE STORAGE DOOR 43W	1
027259KP	DRAWER CABINET, 3-DRAWER, 12x18.5x12	2
02D641KP	COMPOSITE PARTS DRAWER CABINET, 6-DRAWER - 7Hx18.5WX12D	2
02S527KP	TRIPLE UTILITY HOOK	1
021471KP	COMPOSITE STORAGE BINS 5x8x12 (SET/4)	1
024304KP	WIRE SPOOL CARRIER, 24Hx12Wx4D	1
027652KP	HEAVY-DUTY T-BRACKET W/FASTENERS (SET/6)	1

**Tall Electrical Contractor Package**  
 Applicable to Ford Transit Medium & High Roof,  
 RAM ProMaster Low & High Roof, Mercedes Sprinter

PACKAGE # 02R110KP		
Part#	Description	Qty.
02A383KP	TAPERED SHELF MODULE 60X43X16	3
022528KP	SHELF DIVIDER 7Hx16D (SET/5)	3
02R010KP	LOCKABLE STORAGE DOOR 43W	1
025070KP	DRAWER CABINET, 2-DRAWER, 12HX18.5WX16D	2
02D641KP	COMPOSITE PARTS DRAWER CABINET, 6-DRAWER - 7Hx18.5WX12D	2
02S527KP	TRIPLE UTILITY HOOK	1
024304KP	WIRE SPOOL CARRIER, 24Hx12Wx4D	1
02S527KP	TRIPLE UTILITY HOOK	1
027652KP	HEAVY-DUTY T-BRACKET W/FASTENERS (SET/6)	1

# STEEL PLUMBING/HVAC CONTRACTOR PACKAGES

**Compact Plumbing/HVAC Package**  
 Applicable to Ford Transit Connect and RAM ProMaster City

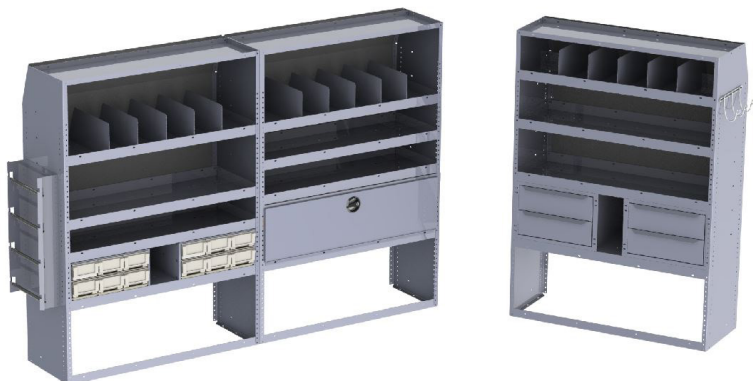
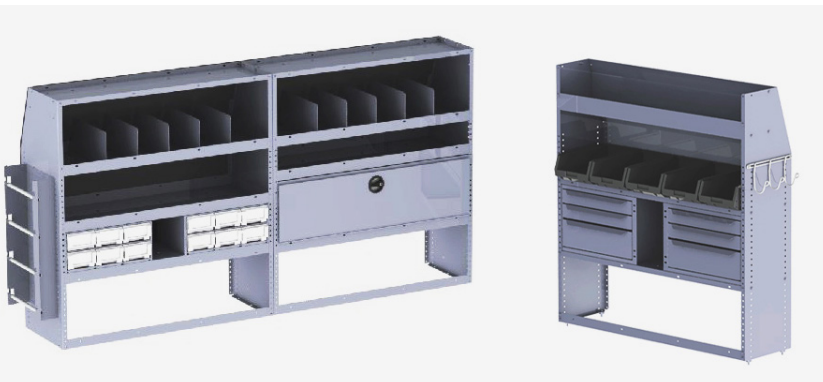
PACKAGE # 02R101KP		
Part#	Description	Qty.
02J640KP	STEEL SHELVING MODULE 44X37WX12D	2
02G056KP	FLOOR ATTACH/INSTR KIT (LEFT & RIGHT) SET - TRANSIT CONNECT G-2	1
02B893KP	TOOL DROP TRAY DIVIDERS (SET OF 5)	2
02S527KP	TRIPLE UTILITY HOOK	2
027259KP	DRAWER CABINET, 3-DRAWER 12X18.5X12	2
02D641KP	COMPOSITE PARTS DRAWER CABINET, 6-DRAWER - 7Hx18.5WX12D	2
02N938KP	ONE PIECE FREON TANK RACK, 3-30 LB TANKS, 36Hx13Wx12D	1
021471KP	COMPOSITE STORAGE BINS 5x8x12 (SET/4)	1

**Standard Plumbing/HVAC Package**  
 Applicable to Ford Transit Low Roof and  
 GM Express/Savana

PACKAGE # 02R105KP		
Part#	Description	Qty.
022434KP	TAPERED SHELVING MODULE 46x43x16	2
027546KP	TAPERED SHELVING MODULE 46X43X12	1
022528KP	SHELF DIVIDER 7Hx16D (SET/5)	2
02R010KP	LOCKABLE STORAGE DOOR 43W	1
027259KP	DRAWER CABINET, 3-DRAWER, 12x18.5x12	2
025070KP	DRAWER CABINET, 2-DRAWER, 12x18.5x12	2
02S527KP	TRIPLE UTILITY HOOK	1
021471KP	COMPOSITE STORAGE BINS 5x8x12 (SET/4)	1
02N938KP	ONE PIECE FREON TANK RACK, 3-30 LB TANKS, 36Hx13Wx12D	1
027652KP	HEAVY-DUTY T-BRACKET W/FASTENERS (SET/6)	1

**Tall Plumbing/HVAC Package**  
 Applicable to Ford Transit Medium Roof and High Roof and  
 RAM ProMaster, and Mercedes Sprinter

PACKAGE # 02R109KP		
Part#	Description	Qty.
02A383KP	TAPERED SHELF MODULE 60X43X16	3
022528KP	SHELF DIVIDER 7Hx16D (SET/5)	3
02R010KP	LOCKABLE STORAGE DOOR 43W	1
025070KP	DRAWER CABINET, 2-DRAWER, 12HX18.5WX16D	4
02S527KP	TRIPLE UTILITY HOOK	1
02N939KP	FREON TANK RACK, 4-30 LB TANKS, 46Hx13Wx12D	1
027652KP	HEAVY-DUTY T-BRACKET W/FASTENERS (SET/6)	1



# STEEL



Shelf Dividers bolt to shelving, no drilling required. Easily adjustable to organize equipment. Sold as set of five dividers.

**021396KP** 5" H x 12" D Shelf Divider

**022528KP** 7" H x 16" D Shelf Divider

**02B893KP** Tool Drop Tray Dividers

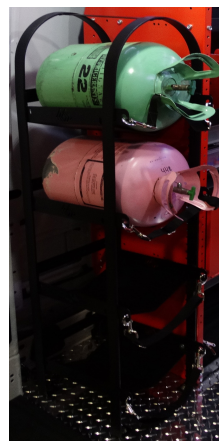


Lockable Storage Doors may be added to any storage module to create a secure compartment.

**027497KP** 37" W x 12" H Storage Door

**02R010KP** 43" W x 12" H Storage Door

**027499KP** 51" W x 12" H Storage Door



**Freon Tank Racks**

Vertically store Freon tanks in a cradle with tie-down chains to secure the tanks.

**02N937KP** 28" H x 13" W x 12" D Tank Rack 2-30# Tanks

**02N938KP** 36" H x 13" W x 12" D Tank Rack 3-30# Tanks

**02N939KP** 46" H x 13" W x 12" D Tank Rack 4-30# Tanks



Composite Storage Bins can be used for a wide variety of cargo containment needs. Color may vary.

**021471KP** 5" H x 8" W x 12" D Storage Bin (set of four)



Multi-Purpose Utility Hooks (left) are ideal for a variety of uses. Zinc plated for long life, rounded for safety. 2" hook dia.

**025527KP** Triple Utility Hook

Heavy-Duty, Vinyl Coated J-Hooks (right) can be mounted to shelving, or any vertical surface inside the van. Sold as set of two with hardware.

**027503KP** 5" dia. Large J-hooks

**027502KP** 3" dia. Small J-hooks



**Wire Spool Carrier**

Mounts to shelving, or vertical surface to organize wire spools, tape rolls, and other items.

**024304KP** 24" H x 12" W x 4" D

# STEEL CABINETS & DRAWERS



Drawer Cabinets provide versatile, lockable storage for tools and small items. Shallow drawers include divided scoop tray. Cabinets mount to shelving module, or can be stacked on each other.

**027259KP** 12" H x 18.5" W x 12" D 3-drawer shown

**025070KP** 12" H x 18.5" W x 16" D 2-drawer



Composite Parts Drawer Cabinets feature composite drawers for nuts and bolts, or other small items. Cabinets include drop-in composite drawer dividers and bolt to steel or wire shelves (stack to form 12-, 18-, and 24- drawer cabinets).

**02D641KP** 7" H x 18.5" W x 12" D 6-drawer

**02D642KP** 7" H x 18.5" W x 12" D 8-drawer

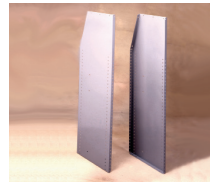
**02D643KP** 7" H x 18.5" W x 12" D 9-drawer

# 9 - 11

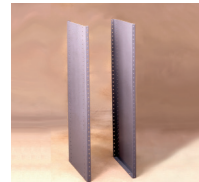
# STEEL PRODUCTS CABINETS, DRAWERS & SHELVING REPLACEMENT PARTS



# STEEL SHELVING - REPLACEMENT PARTS



Tapered Uprights for use with contoured van walls. Standard Uprights  
**022395KP** 46" H x 16" D  
**027167KP** 46" H x 12" D  
**02A355KP** 60" H x 16" D



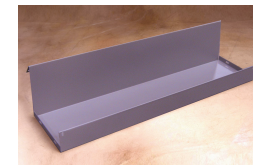
Solid End Uprights sold as set of two.  
**023048KP** 13" H x 12" D  
**022348KP** 28" H x 12" D  
**022455KP** 31" H x 12" D  
**022347KP** 36" H x 12" D  
**025367KP** 46" H x 12" D  
**026438KP** 60" H x 12" D  
**024063KP** 28" H x 16" D  
**025948KP** 31" H x 16" D  
**022473KP** 36" H x 16" D  
**022957KP** 42" H x 16" D  
**026439KP** 60" H x 16" D



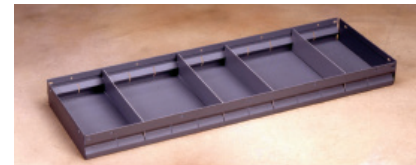
Heavy Duty Stick Uprights can be used with 12", 16", and 22" deep shelves. Requires floor braces. Sold as set of four uprights.  
**021368KP** 28" H  
**020031KP** 31" H  
**021369KP** 36" H  
**025366KP** 46" H  
**026440KP** 60" H  
**025336KP** 72" H



Floor Braces - side braces for heavy duty uprights. Side Braces  
**023054KP** 12" D **025335KP** 22" D  
**022613KP** 16" D (all sold as set of two)  
 Front Braces  
**023055KP** 19" W **023056KP** 25" W  
**023057KP** 31" W **023058KP** 37" W  
**023059KP** 43" W **025680KP** 51" W  
 Floor Attachment Kits  
**02G056KP** Ford Transit Connect  
**02J724KP** RAM ProMaster City



Tool Drop Trays designed for 12" deep tapered shelf modules. Install in place of a top shelf to store tools. Features a 3" lip.  
**027165KP** 37" W x 8" D  
**027792KP** 43" W x 8" D  
 Divided Tool Drop Tray  
**02B894KP** 37" W x 8" D  
**02B893KP** Dividers (Set/5)



Parts Tray Shelves are formed with 3" deep lip; each shelf includes snap-in dividers. Additional dividers available (sold as set of four).  
**027478KP** 25" W x 12" D **026486KP** 25" W x 16" D  
**022898KP** 31" W x 12" D **025877KP** 31" W x 16" D  
**021389KP** 37" W x 12" D **025815KP** 37" W x 16" D  
**022215KP** 43" W x 12" D **025858KP** 43" W x 16" D  
**025842KP** 51" W x 12" D **025859KP** 51" W x 16" D  
**021391KP** 12" dividers **027547KP** 16" dividers



Steel Shelves All shelves feature a fully hemmed perimeter edge for superior strength. Available as standard or heavy-duty. The 12" deep shelves have a 1" lip, the 16" and 22" deep shelves have a 2" lip.  
 Standard Shelves (20 GA)  
**021377KP** 13" W x 12" D Shelf  
**021378KP** 19" W x 12" D Shelf  
**021379KP** 25" W x 12" D Shelf  
**021380KP** 31" W x 12" D Shelf  
**021381KP** 37" W x 12" D Shelf  
**021382KP** 43" W x 12" D Shelf  
**025153KP** 19" W x 16" D Shelf  
**022816KP** 25" W x 16" D Shelf  
**022398KP** 31" W x 16" D Shelf  
**022397KP** 37" W x 16" D Shelf  
**022396KP** 43" W x 16" D Shelf  
 Heavy Duty Shelves (16 GA)  
**025313KP** 37" W x 12" D HD Shelf  
**025314KP** 43" W x 12" D HD Shelf  
**025572KP** 51" W x 12" D HD Shelf  
**025315KP** 37" W x 16" D HD Shelf  
**025316KP** 43" W x 16" D HD Shelf  
**025571KP** 51" W x 16" D HD Shelf  
**025319KP** 37" W x 22" D HD Shelf  
**025326KP** 43" W x 22" D HD Shelf  
**027483KP** 51" W x 22" D HD Shelf



Shelf Backs used to close off back of shelving and help control noise. Height can easily be cut to fit module.  
**027484KP** 25" W x 36" H  
**027487KP** 51" W x 36" H  
**027176KP** 37" W x 36" H  
**027486KP** 43" W x 36" H  
**027485KP** 31" W x 36" H



Universal Braces can be used to further secure drawers, cabinets and shelving to vehicle. Cut and bend to fit as necessary. T-brackets can be used to reinforce modules to side walls of van for heavy-duty applications.  
 Universal Attachment Brace  
**027651KP** Set of six with fasteners  
 Heavy Duty T-Bracket  
**027652KP** Set of six with fasteners



Automotive Grade Aerosol Texture Paint matches original equipment color. 12 fl. oz.  
**RM660135A** Black  
**RM660151A** Gray

# STEEL PARTITIONS



**027088KP** Partition SL HM PR  
**027807KP** GM Express / Savana Attachment Panels

- Exclusive non-glare black finish for superior rear and side visibility.
- Tough finish provides scratch resistance.
- Easy installation; complete instructions and hardware included.
- Some attachment panels sold separately.

12-13

PARTITIONS  
 STEEL  
 PARTITIONS  
 COMPOSITE &  
 WIRE  
 PARTITIONS  
 ACCESSORIES

Note: P - Perforated S - Solid H - Hinged L - Left M - Middle R - Right

STEEL PARTITION ORDERING GUIDE				
	No Center Door	With Hinged Door	Sliding Door	Attachment Panels Required
	SL - PM - PR	SL - HM - PR	SL - SPM - PR	
<b>FORD</b>				
Transit (Low Roof)	027084KP	027088KP	NA	02H369KP
Transit (Medium Roof)	02J177KP	02J180KP	02G478KP	02H370KP
Transit (High Roof)	02J177KP	02J180KP	02G478KP	02H371KP
<b>GM</b>				
Express / Savana	027084KP	027088KP	NA	027807KP
<b>RAM</b>				
ProMaster (Low & High Roof)	02J177KP	02J180KP	02G478KP	02G731KP
<b>COMPACT VANS</b>				
Ford Transit Connect	02M186KP			
RAM ProMaster City	02J644KP			

# LIGHTWEIGHT COMPOSITE & WIRE PARTITIONS

- Easy Assembly.
- Lightweight, yet strong.
- Includes assembly and installation instructions and hardware.
- Wire partitions offer maximum visibility.



02N147KP shown

02H237KP shown

## COMPOSITE PARTITION ORDERING GUIDE

Part #	Platform
02H237KP	Ford Transit Connect (2014+)
02N100KP	Ford Transit (Low Roof)
02K122KP	Ford Transit (Medium Roof)
02N048KP	Ford Transit (High Roof)
02K123KP	RAM ProMaster (Low Roof)
02N098KP	RAM ProMaster (High Roof)
02M745KP	RAM ProMaster City
02N101KP	GM Express/ Savanna (Hinged Doors)
02N102KP	GM Express/ Savanna (Sliding Doors)

## WIRE PARTITION ORDERING GUIDE

Part #	Platform
02N147KP	Ford Transit Connect
02J643KP	RAM ProMaster City

## PARTITION ACCESSORIES

Accessories fit partitions or mount on vertical surfaces in the cargo area.

### PARTITION ACCESSORIES ORDERING GUIDE

Part #	Item	Description
022181KP	Triangle Reflector Kit	Three D.O.T. approved safety reflectors with storage case.
027512KP	Triangle Reflector Kit Holder	Metal pocket holds 022181 Reflector Kit.
021782KP	First Aid Kit	Ten-unit kit includes first aid supplies in a storage case. OSHA compliant with individually packaged items.
020122KP	First Aid Kit Holder	Secure first aid kit to partition. 9" W x 3" D
020982KP	Fire Extinguisher 2.5 lb.	Class 1-A: 10-B: C 2-1/2 lb. rechargeable dry chemical extinguisher with mounting bracket. UL approved meets DOT requirements.
026383KP	Fire Extinguisher 5 lb.	Class 3-A: 40-B: C 5 lb. rechargeable dry chemical extinguisher with mounting bracket. UL approved meets DOT requirements.



# UPLYFT™ LADDER RACK

SPECIFICATIONS	
Max Ladder Weight	70lbs
Max Ladder Length	28ft
Min Ladder Length	8ft (*3rd crossbow required for less than 8ft.)
Max Ladder Width	23"
Max Ladder Height	7-1/4"
Total Drop Down	26"
Drop down w/ slide (for midroof)	45-3/4"
Max Width (Van low roof)	72-1/8"
Max Width (Van midroof)	80-5/8"
Weight (low roof)	106lbs
Weight (mid roof)	118lbs



14 - 16

LADDER RACKS

UPLYFT LADDER RACKS

LOCKING LADDER RACKS

UTILITY

VEHICLE TYPE	ROOF HEIGHT	WHEEL BASE	DISTRIBUTION PART NUMBER	CATALOG DESCRIPTION	Single / Double	Weight (LB)
TRANSIT	Low	All	02P717KP	Uplyft Single Ladder Rack without Slide-down	Single	88
	Low	All	02P755KP	Uplyft Double Ladder Rack without Slide-down	Double	133
	Med	All	02P680KP	Uplyft Single Ladder Rack with Slide-down	Single	102
	Med	All	02P142KP	Uplyft Double Ladder Rack with Slide-down	Double	147
	High	All	02P680KP	Uplyft Single Ladder Rack with Slide-down	Single	102
	High	All	02P142KP	Uplyft Double Ladder Rack with Slide-down	Double	147
EXPRESS / SAVANA	N/A	All	02P742KP	Uplyft Double Ladder Rack without Slide-down	Double	118
	N/A	All	02P741KP	Uplyft Single Ladder Rack without Slide-down	Single	94
PROMASTER	All	118"	02P740KP	Uplyft Double Ladder Rack with Slide-down 118	Double	147
	All	118"	02P739KP	Uplyft Single Ladder Rack with Slide-down 118	Single	102
	All	136"	02P861KP	Uplyft Double Ladder Rack with Slide-down 136	Double	147
	All	136"	02P860KP	Uplyft Single Ladder Rack with Slide-down 136	Single	102
	All	159"	02R563KP	Uplyft Double Ladder Rack with Slide-down 159	Double	147
	All	159"	02R246KP	Uplyft Single Ladder Rack with Slide-down 159	Single	102
	All	159"EL	02R563KP	Uplyft Double Ladder Rack with Slide-down 159EL	Double	147
	All	159"EL	02R246KP	Uplyft Single Ladder Rack with Slide-down 159EL	Single	102

## FEATURES

- Durable bronze bearings for extended life.
- Fully opens and closes with or without a ladder.
- Padlock ready ladder rack.
- Easiest to use and lowest slide down ladder rack.
- Padded slides for less drag, noise, and better grip when ladder is secured upon roof.
- Narrow design does not overhang over sides of vehicle.
- Lowest profile for decreased wind resistance.
- Linkage is over center supported mechanism for extra strength.
- No holes required for mounting.



# LOCKING LADDER RACK

Unequaled for ease-of-use and dependability.

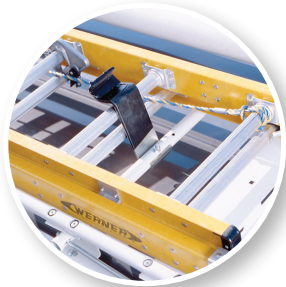


- Easy-to-use clamping action secures ladders in place.
- Easily load and unload from side of vehicle for safe, efficient operation.
- Zinc-plated and powder-coated for maximum outdoor protection.
- With only one moving part, ladder rack is designed to be maintenance-free for a lifetime.
- Many racks install to existing vehicle hardware. No drilling required. Other racks include roof-mounted bolt-through feet and reinforcement plates; some drilling is required.
- Adjustable to fit multiple step and extension ladders.

## FEATURES



**Lockable** for security. Simply lock the handle with a standard padlock to protect the ladder from theft.



**Vinyl Coated** clamps resist abrasion. The convenient operating handle securely locks ladders in place.



**Extended Front Stop** is fully adjustable to accommodate step and combination ladders. Included in streetside upgrade racks.

Description	GM Express / Savana	RAM ProMaster City	Ford Transit Connect (121" WB)	Ford Transit Low Roof (130" WB)
Single Locking Ladder Rack for Extension Ladders	022550KP	02J645KP	02G057KP	02J058KP
Locking Ladder Rack - Streetside Upgrade for Step/Combination Ladders	021226KP	02J646KP	021228KP	021226KP



Single Locking Ladder Rack



Single Locking Ladder Rack With Streetside Upgrade

# UTILITY CARRIER

Heavy-duty utility carriers are the economical choice for a variety of uses.



- Ladders, pipe, or most any cargo can be carried securely.
- Heavy gauge steel construction, zinc plated, and powder coated for maximum weather protection.
- Utility carriers consist of two crossbows with tall outer stops.
- No drilling into the roof is required.

Description	GM Express / Savana	RAM ProMaster City	Ford Transit Connect	Ford Transit Low Roof
Utility Carrier	022553KP	02J649KP	02G058KP	02J056KP

**Utility Rack**  
As shown includes:  
02J056KP Utility Carrier -  
Ford Transit Low Roof



Customize your vehicle to fit your needs



## MANUAL & DOCUMENT STORAGE



**Manual Rack**  
Contains three shelves to carry catalogs or parts manuals.  
**025522KP** 36" H x 6" W x 12" D

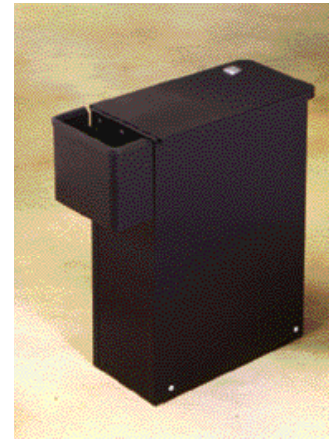


**Work Order File**  
Six pocket holder for manuals and orders. Solid steel construction.  
**026892KP** 27" H x 12" W x 5" D



**Cab Organizer**  
**021742KP** 20" H x 13" W x 16" L

- Fits in GM Express / Savana, Nissan NV, Mercedes Sprinter (without center console)
- Organize the driver area safely and ergonomically.
- Provides a secure location for valuables.
- Includes hangers for file folders.



**Mini Cab Organizer**  
**022536KP** 18" H x 7" W x 14" L

\*02J192KP (bracket) is required to install 022536KP in Ford Transit and RAM ProMaster

## FLOOR DRAWERS

Heavy duty drawers with smooth glide rollers provide secure, lockable storage for parts, tools, and equipment. Safely latches when closed. Includes adjustable dividers and anti-skid strips on top.

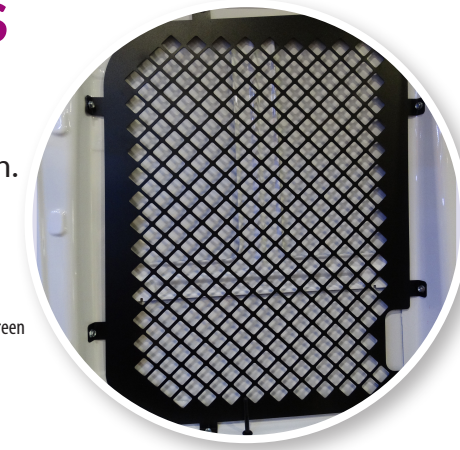
### FLOOR DRAWER ORDERING GUIDE

Part #	Dimensions	Number of Drawer Sections	Number of Dividers
025344KP	12" W x 12" H x 48" D	1	6



## WINDOW SCREENS

Deter theft and protect windows. Non-glare black powder coat finish. Contoured to fit your vehicle's windows.



**02P935KP** Promaster Rear Door Screen

### WINDOW SCREEN ORDERING GUIDE

Product Number	Description
02P885KP	WINDOW SCREENS EXP/SAV REAR DOORS
02P921KP	WINDOW SCREENS TRANSIT MR/HR REAR DOORS
02P922KP	WINDOW SCREENS TRANSIT MR/HR SIDE SLIDING DOOR
02P927KP	WINDOW SCREENS EXP/SAV SIDE HINGED DOORS
02P929KP	WINDOW SCREENS TRANSIT LOW ROOF SIDE SLIDING DOOR
02P931KP	WINDOW SCREENS TRANSIT LOW ROOF SIDE HINGED DOORS
02P932KP	WINDOW SCREENS PMCITY REAR DOORS
02P935KP	WINDOW SCREENS PROMASTER REAR DOORS
02P936KP	WINDOW SCREENS PROMASTER SIDE SLIDING DOOR
02P937KP	WINDOW SCREENS TRANSIT CONNECT 121WB SIDE SLIDING DOORS
02P938KP	WINDOW SCREENS TRANSIT CONNECT REAR DOORS
02P939KP	WINDOW SCREENS TRANSIT LOW ROOF REAR DOORS
02P943KP	WINDOW SCREENS EXP/SAV SIDE SLIDING DOOR
02P951KP	WINDOW SCREENS PMCITY SIDE SLIDING DOORS

## INTERIOR ACCESSORIES



**Hard Hat Holder** mounts to partition or shelving unit. Holder will securely store standard hard hat.  
**027504KP** 16" H x 12" W

17 - 18

ACCESSORIES

MANUAL & DOCUMENT STORAGE

FLOOR DRAWERS

WINDOW SCREENS

INTERIOR ACCESSORIES

### LIGHTING

Product Number	Description
025085KP	Strobe Light
020715KP	Dome Light

### DOOR CHECK KIT

Product Number	Description
025934KP	Driver Side, E-Series



## FLOORING



Constructed of heavy duty rubber, Rubber Cargo Mats offer effective protection from scratches, dents, and spills. The unique anti-skid, air cushion design looks good and muffles sound. Mats are custom cut for each type of vehicle. Mats are approximately 1/8" thick.

### CARGO MAT ORDERING GUIDE

Part #	Wheelbase	Platform
024075KP	135" WB	GM Express/Savana
025803KP	155" WB	
02G469KP	118" WB	RAM ProMaster
02G470KP	136" WB	
02G471KP	159" WB	
02G472KP	159" EWB	
02J628KP	122" WB	RAM ProMaster City

### CARGO MAT ORDERING GUIDE

Part #	Wheelbase	Platform
02H376KP	130" WB	Ford Transit
02H377KP	148" WB	
02H378KP	148" WB EXT.	
02G041KP	106" WB	Ford Transit Connect
02G040KP	121" WB	
02A428KP	144" WB	Mercedes Sprinter
02B760KP	170" WB	

## CARGO PROTECTION PACKAGES

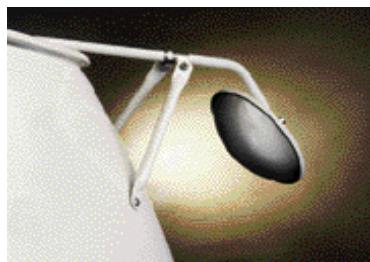
- MASTERACK® Cargo Protection Packages protect your investments in your work van and your cargo, preventing dents and scratches over years of use.
- Wall panels with protective ribs are molded to fit the van walls.
- Shelving modules and interior packages can be used with cargo protection packages.

See page 22 for optional Floor Mat ordering guide.

Partitions sold separately (see pages 14-15).



## EXTERIOR ACCESSORIES



**Rear Crossview Mirror** for improved rear visibility. White finish.  
**024145KP** GM Express/Savana mirror  
**02H891KP** Ford Transit mirror  
**02G872KP** Ford Transit Connect mirror



**Slick Locks - Hasp & Locks** eliminate damage to your vehicle by mounting hasps to factory holes inside the door. Add lock spinners for added security. Lock sold separately.

### The Blade by Slick Locks

- 02D472KP** GM Express/Savana Side/Rear Hinged Doors (Set/2)
- 02H704KP** GM Express/Savana Sliding Door (Set/2)
- 02J359KP** Ford Transit Side Sliding/Rear Hinged Door (Set/2)
- 02J360KP** Ford Transit Side/Rear Hinged Door (Set/2)
- 02J361KP** Ford Transit Driver's Side Door (Set/1)
- 02H238KP** Ford Transit Connect (Set/3)
- 02H442KP** RAM ProMaster (Set/2)
- 02H441KP** Mercedes Sprinter (Set/2)
- 02D474KP** Spinner 360\*
- 02D476KP** Puck Locks (Set/2)
- 02D687KP** Puck Locks (Set/3)



### WALL LINER ORDERING GUIDE

Part #	Platform
02J170KP	GM Express / Savana 135" WB
02H235KP	Ford Transit Connect 121" WB
02K125KP	Ford Transit 148" WB Medium Roof Single Door
02K124KP	RAM ProMaster 136" WB Low Roof Dual Door
02J169KP	RAM ProMaster 136" WB High Roof Single Door
02J168KP	RAM ProMaster 136" WB High Roof Dual Door
02H494KP	RAM ProMaster 159" WB High Roof Single Door
02H495KP	RAM ProMaster 159" WB High Roof Dual Door
02J171KP	Nissan NV High Roof

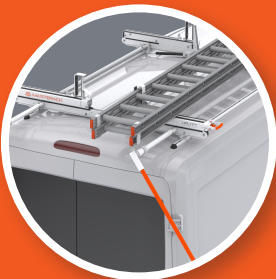






# MASTERACK®

Distributed by:



350 Technology Parkway, Peachtree Corners, GA 30092 | USA: 800.222.8785  
[www.MASTERACK.com](http://www.MASTERACK.com)